

FU.3... OUTLET MODULE UNITS

The threaded port (T) is available in two different sizes: G3/8" or 9/16-18UNF.

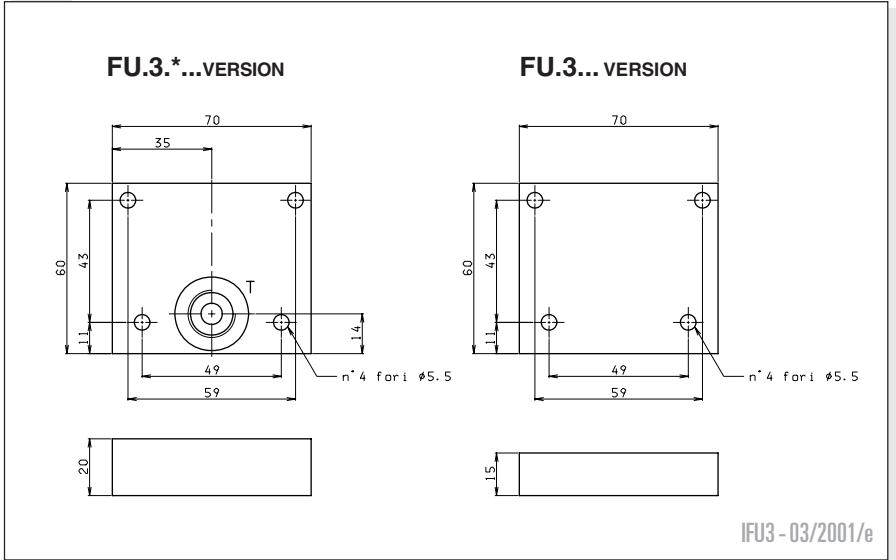
Outlet modules without ports and for parallel style only are available.

Max. operating pressure	250 bar
Max. flow	40 l/min
Hydraulic fluids	Mineral oils DIN 51524
Fluid viscosity	10 ÷ 500 mm ² /s
Fluid temperature	-25°C ÷ 75°C
Ambient temperature	-25°C ÷ 60°C
Max. contamination level	class 10 in accordance with NAS 1638 with filter $\beta_{25} \geq 75$
Weight	0,2 Kg

OVERALL DIMENSIONS

ORDERING CODE

FU	Outlet module unit
3	Size
*	Port size: 1 = G3/8" 2 = 9/16-18UNF For outlet module without ports is not required (only for parallel style)
00	No variant
1	Serial No.



IFU3 - 03/2001/e