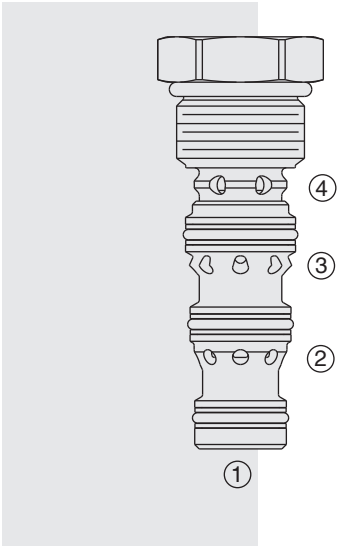


DC10-40 Pilot Operated Check Valve



DESCRIPTION

A dual pilot operated check valve for use in blocking or load-holding circuits. This valve has an optional thermal relief from port 4 to port 3.

OPERATION

The DC10-40 will block flow from 1 to 2, and from 4 to 3. Flow is allowed in the opposite direction when pressure is applied to port 2 and/or port 3.

The valve has a 3:1 pilot ratio, so at least 1/3 of the load pressure at port 1 or 4 is required at the pilot lines (ports 2 or 3) to open the flow passage to allow flow from ports 1 or 4.

The check is spring-biased at 25 psi to assure holding in a static or no load condition.

Note: Orifice disc cannot be used with this product.

FEATURES

- Hardened seat for long life and low leakage.
- Low pressure drop.
- Optional thermal relief.

RATINGS

Operating Pressure: Inlet: 240 bar (3500 psi)

Flow: Rated Inlet Flow: 30.3 lpm (8 gpm); See performance chart.

Pilot Ratio: 3:1

Check Spring Bias: 1.7 bar (25 psi)

Thermal Relief Crack Pressure Range: 310 to 386 bar (4500 to 5600 psi)

Thermal Relief Valve Leakage: 5 drops per minute (0.25 ml per minute) at up to 85% of crack pressure.

Maximum Check Valve Leakage: 5 drops per minute (0.25 ml per minute) at 240 bar (3500 psi).

Temperature: -40 to 120°C with Buna N seals

Filtration: See page 9.010.1

Fluids: Mineral-based or synthetics with lubricating properties at viscosities of 7.4 to 420 cSt (50 to 2000 sus); See Temperature and Oil Viscosity, page 9.060.1

Installation: No restrictions; See page 9.020.1

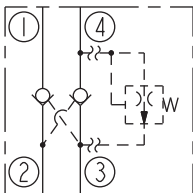
Cavity: VC10-4; See page 9.110.1

Cavity Tool: CT10-4XX-X-X; See page 8.600.1

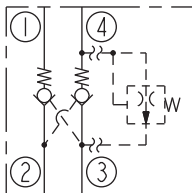
Seal Kit: SK10-4X-MMM; See page 8.650.1

SYMBOLS

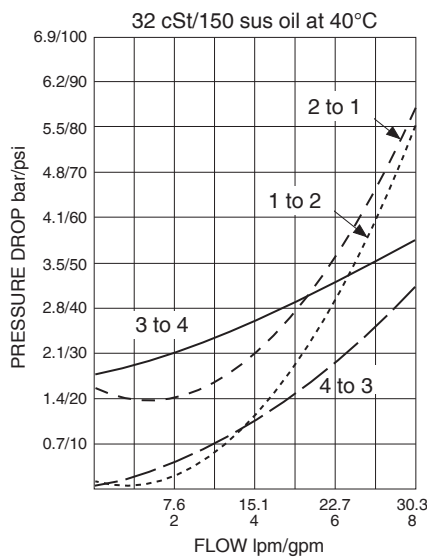
USASI:



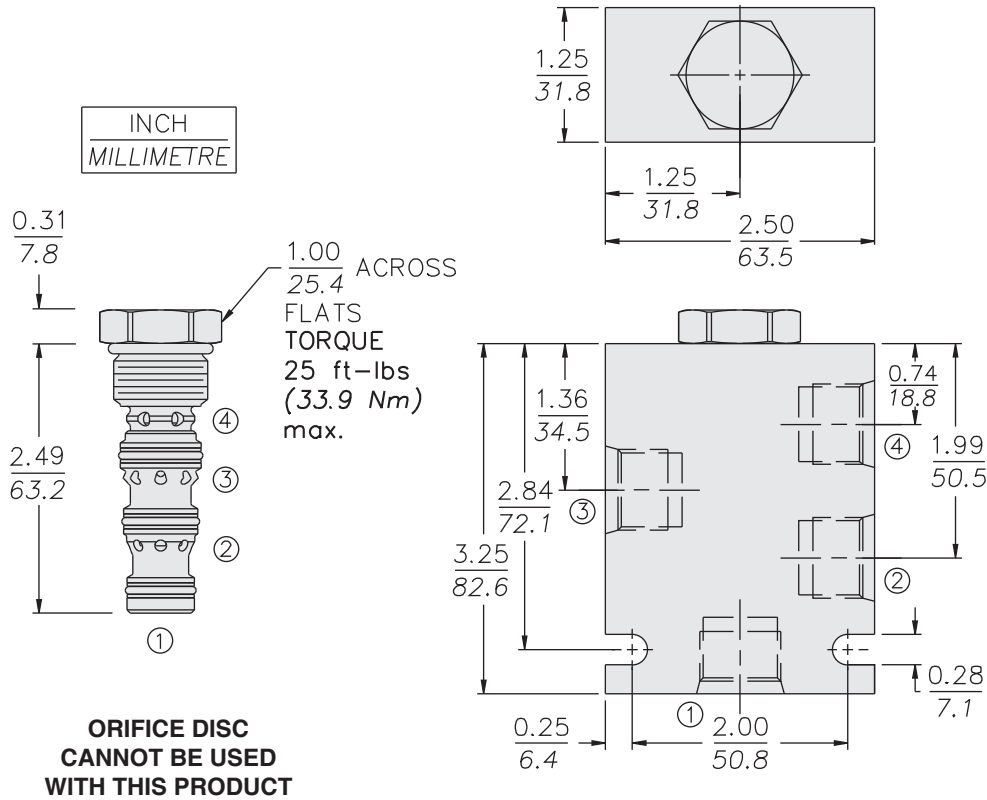
ISO:



PERFORMANCE (Cartridge Only)



DIMENSIONS



MATERIALS

Cartridge: Weight: 0.13 kg. (0.28 lbs.)
Steel with hardened work surfaces.
Zinc-plated exposed surfaces.
Buna N O-rings and polyester elastomer back-ups standard.

Standard Ported Body: Weight: 0.34 kg. (0.75 lbs.) Anodized high-strength 6061 T6 aluminum alloy, rated to 207 bar (3000 psi). Ductile iron bodies available; dimensions may differ. See page 8.010.1

TO ORDER

