

# Electric Pump

## HYDRAULIC PE60 SERIES

### Post Tensioning

### 56 cu. in./min.

### Two-Speed

Compact, light weight pump.  
Excellent choice for rugged  
applications and low voltage  
starting.

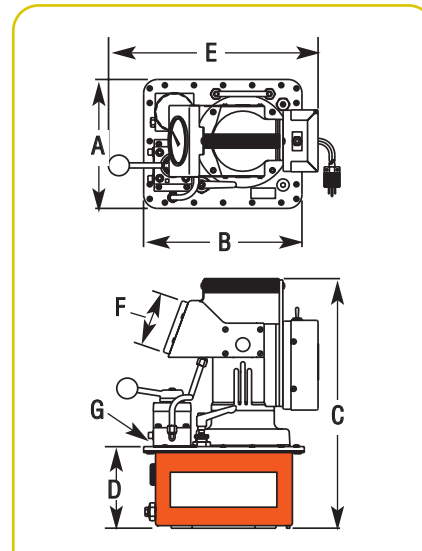
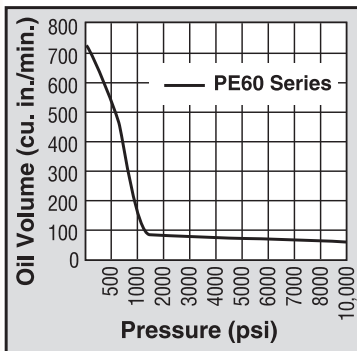
PUMPS

- Long, trouble free life in the most demanding work environments. For operating single- or double-acting cylinders, or stressing jacks.
- Powered by 1½ hp, 115 volt, 60/50 Hz single phase motor. Starts under load, even at the reduced voltages at construction sites.
- Optional fan-driven external oil cooler includes rollover guard.
- Insulated carrying handle.
- Integral 4" dia. fluid-filled pressure gauge with steel bezel complies with ASME B40.1 Grade A. With 0 to 10,000 psi pressure range in 100 psi increments.
- Sealed ¾ gallon (usable) reservoir. Reservoir drain port is standard.
- Standard oil level sight gauge for accurate oil level monitoring.



PE604T  
w/cooler

- External spin-on filter removes contaminants from circulating oil to maximize pump, valve and cylinder/tool life.



Pump No.	Max. Pressure Output		dBa at 10,000 (psi)	Amp Draw at 10,000 (psi)	Oil Del. (cu. in./min. @)				A (in.)	B (in.)	C (in.)	D (in.)	E (in.)	F (in.)	G (in.)	Prod. Wt. w/Oil (lbs.)
	(psi)	rpm			100 (psi)	700 (psi)	5,000 (psi)	10,000 (psi)								
PE604T	10,000	12,000	80/85*	25	704	440	74	56	9 <sup>5</sup> / <sub>16</sub>	11 <sup>1</sup> / <sub>2</sub>	18 <sup>1</sup> / <sub>4</sub>	6	15	4	3/8 NPTF	50
PE604PT	10,000	12,000	80/85*	25	704	440	74	56	9 <sup>5</sup> / <sub>16</sub>	11 <sup>1</sup> / <sub>2</sub>	18 <sup>1</sup> / <sub>4</sub>	6	15	4	3/8 NPTF	51

**NOTE:** Unloading pressure is 1,000 psi.  
Consult factory for PE60 pump models with other control and valve options.

For 220/230 volt, 50/60 Hz, single-phase models, add -220 suffix.



10,000 psi



PUMPS



The PE60 used for pre-stressing.



For use with Cyl. Type	Description	Order No.	Valve Type	Valve No.	Valve Function	Control Switch	Motor	Reservoir Usable (cu. in.)
Single-Acting, Spring Seat, Stressing Jack or Double-Acting	1 $\frac{1}{8}$ hp pump with $\frac{3}{4}$ gal. reservoir & valve for double-acting systems.	<b>PE604T</b>	4-Way 3-position	9500	Advance Hold Return	On/Off/Pulse	1 $\frac{1}{8}$ hp, 115 VAC 60/50 Hz, Single Phase	157
Single-Acting or Double-Acting Power Seat, Stressing Jacks Only	PE604T, except has special valve for post tensioning application only.	<b>PE604PT</b>	4-Way 3-position	9628 Model C	Advance Hold Sequenced Return	On/Off/Pulse	1 $\frac{1}{8}$ hp, 115 VAC 60/50 Hz, Single Phase	157

**OPTIONAL**

**252511:** Oil cooler kit for PE604T or PE604PT, 115 VAC. Weight 5 lbs.    **252512:** Oil cooler kit for PE604T or PE604PT, 220 VAC. Weight 5 lbs.

