

CM.3.M... MODULAR MAX. PRESSURE STACKABLE VALVES



CM.3.M...

CMP.06...

CH. V PAGE 18

CM.3.M type pressure regulating valves are available with a pressure range of 1 ÷ 290 bar.

Adjustment is by means of a grub screw.

Single on A or B lines, and double on AB lines versions are available, with drainage to T.

All versions can accept three types of springs with calibrated ranges as shown in the specifications.

The cartridge, which is the same for all versions, is the direct acting type CMP06.

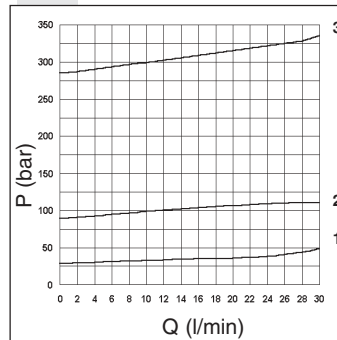
For the minimum permissible setting pressure depending on the spring, see minimum pressure setting curve.

Max. operating pressure	290 bar	
Setting ranges:	spring 1	max. 30 bar
	spring 2	max. 90 bar
	spring 3	max. 290 bar
Max. flow	30 l/min	
Hydraulic fluids	Mineral oils DIN 51524	
Fluid viscosity	10 ÷ 500 mm ² /s	
Fluid temperature	-25°C ÷ 75°C	
Ambient temperature	-25°C ÷ 60°C	
Max. contamination level	class 10 in accordance with NAS 1638 with filter $\beta_{25} \geq 75$	
Weight CM.3.M.A/B...	0,698 Kg	
Weight CM.3.M.AB...	0,926 Kg	

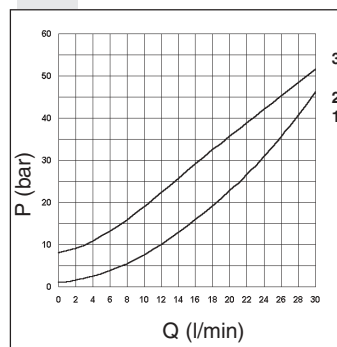
ORDERING CODE

- CM** Modular stackable valve
- 3** Size
- M** Maximum pressure valve
- *** Port sizes:
1 = G3/8"
2 = 9/16-18UNF
- **** Adjustment on the lines:
A / B / AB
- C** Type of adjustment
Grub screw
- *** Setting ranges at port A
1 = max. 30 bar (**white spring**)
2 = max. 90 bar (**yellow spring**)
3 = max. 290 bar (**green spring**)
- *** Setting ranges at port B
(Omit if the setting is same as that at port A)
1 = max.30 bar (**white spring**)
2 = max. 90 bar (**yellow spring**)
3 = max. 290 bar (**green spring**)
- **** 00 = No variant
V1 = Viton
- 1** Serial No.

PRESSURE - FLOW RATE

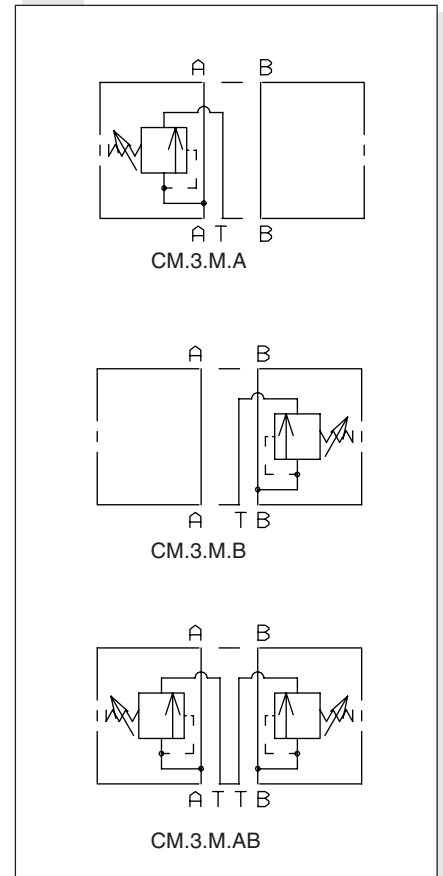


MINIMUM SETTING PRESSURE

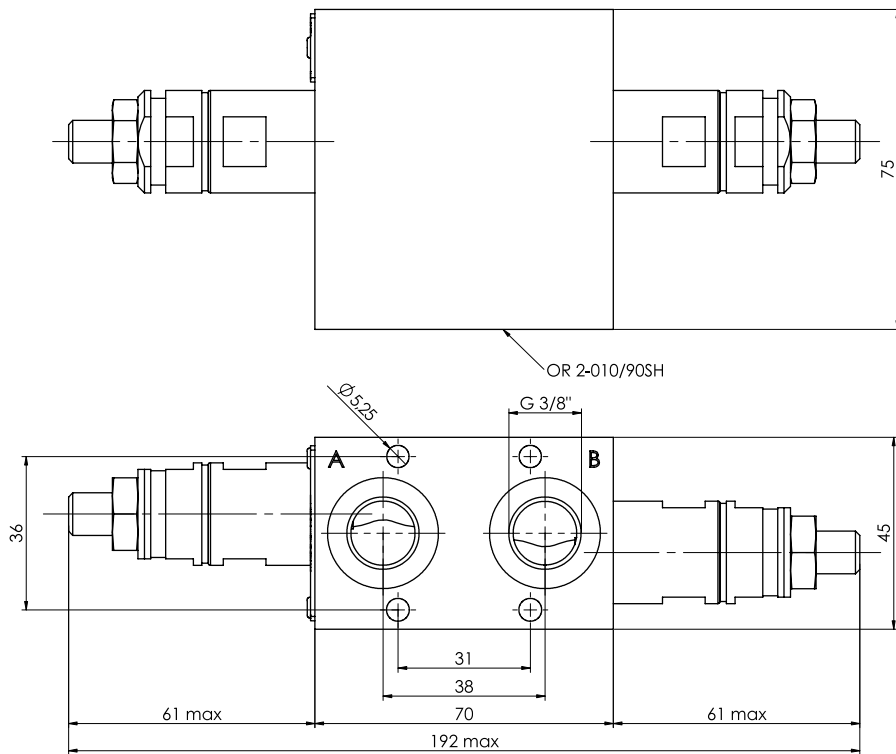


Curves n° 1 - 2 - 3 = setting ranges

HYDRAULIC SYMBOLS



OVERALL DIMENSIONS



Fixing screws UNI 5931 M5x85
with material specifications min. 8.8
Tightening torque 5 Nm / 0.5 Kgm

MOUNTING

